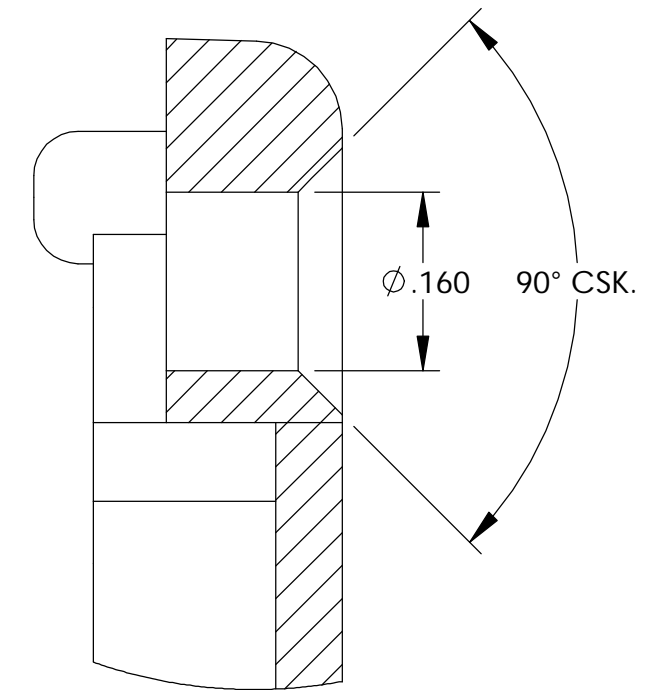
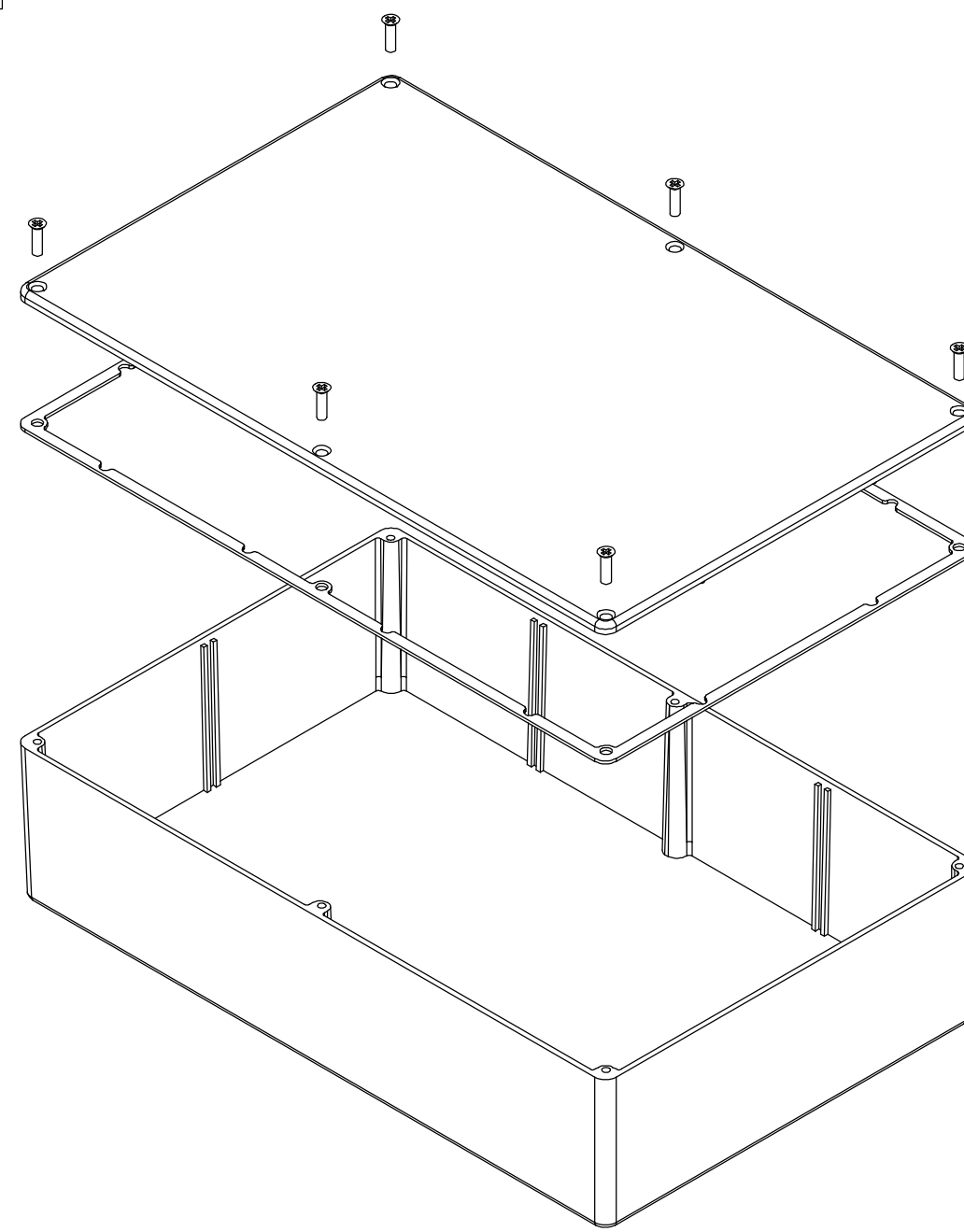


THE INFORMATION CONTAINED IN THIS DRAWING IS THE SOLE PROPERTY OF BUD INDUSTRIES INC. ANY REPRODUCTION IN PART OR WHOLE WITHOUT THE WRITTEN PERMISSION OF BUD INDUSTRIES INC. IS PROHIBITED.

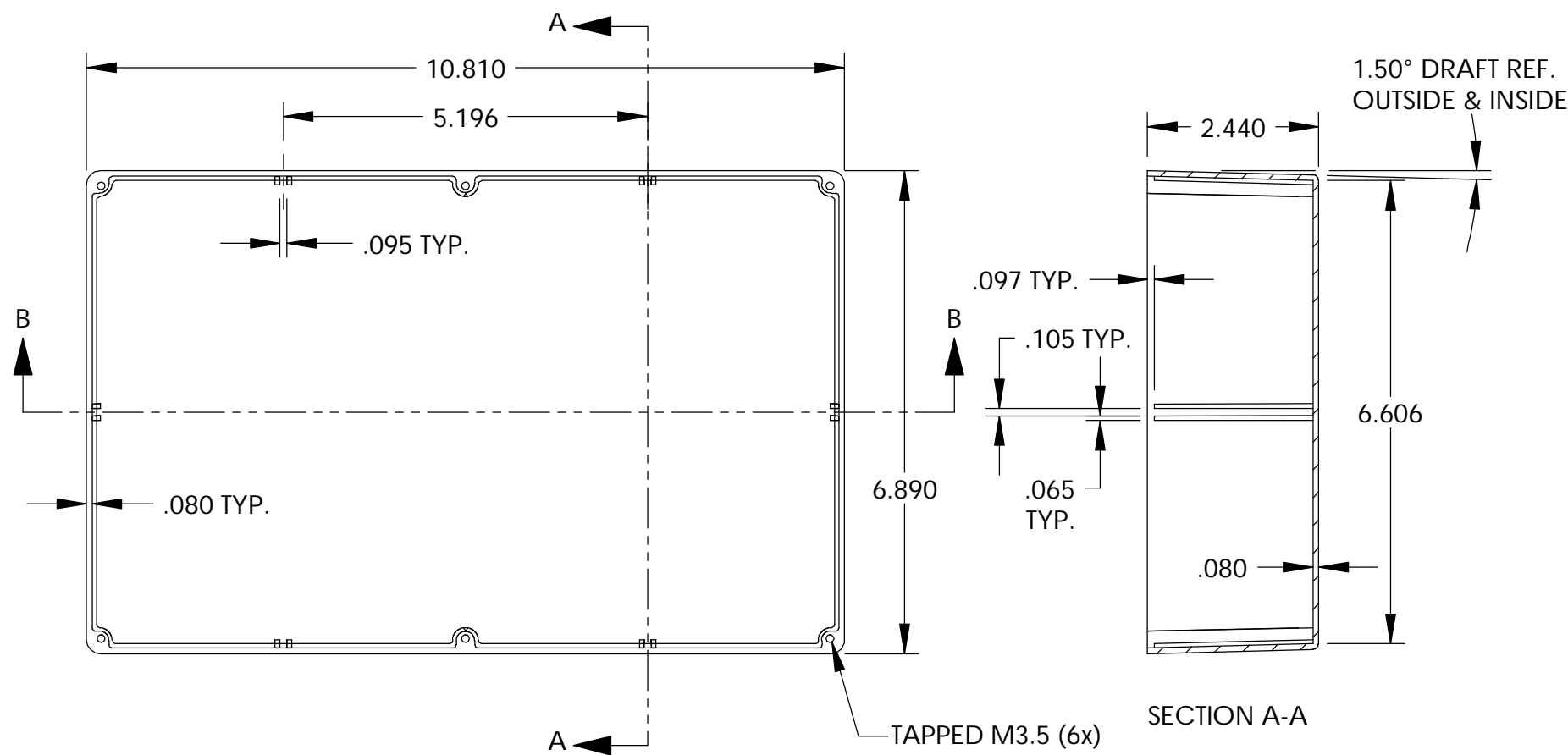
DWG. NO.	CN-5714
ISSUE	REVISIONS

MATERIAL - ALUMINUM ALLOY #ADC-12
 FINISH - NATURAL (CONTACT BUD FACTORY FOR ALTERNATE FINISHES)
 GASKET - RATED IP65 NEOPRENE, SELF-ADHESIVE, 3mm THICK, COLOR BLACK
 SCREWS - STAINLESS STEEL, M3.5 x 12mm LG., CSK. HEAD, SELF-THREADING

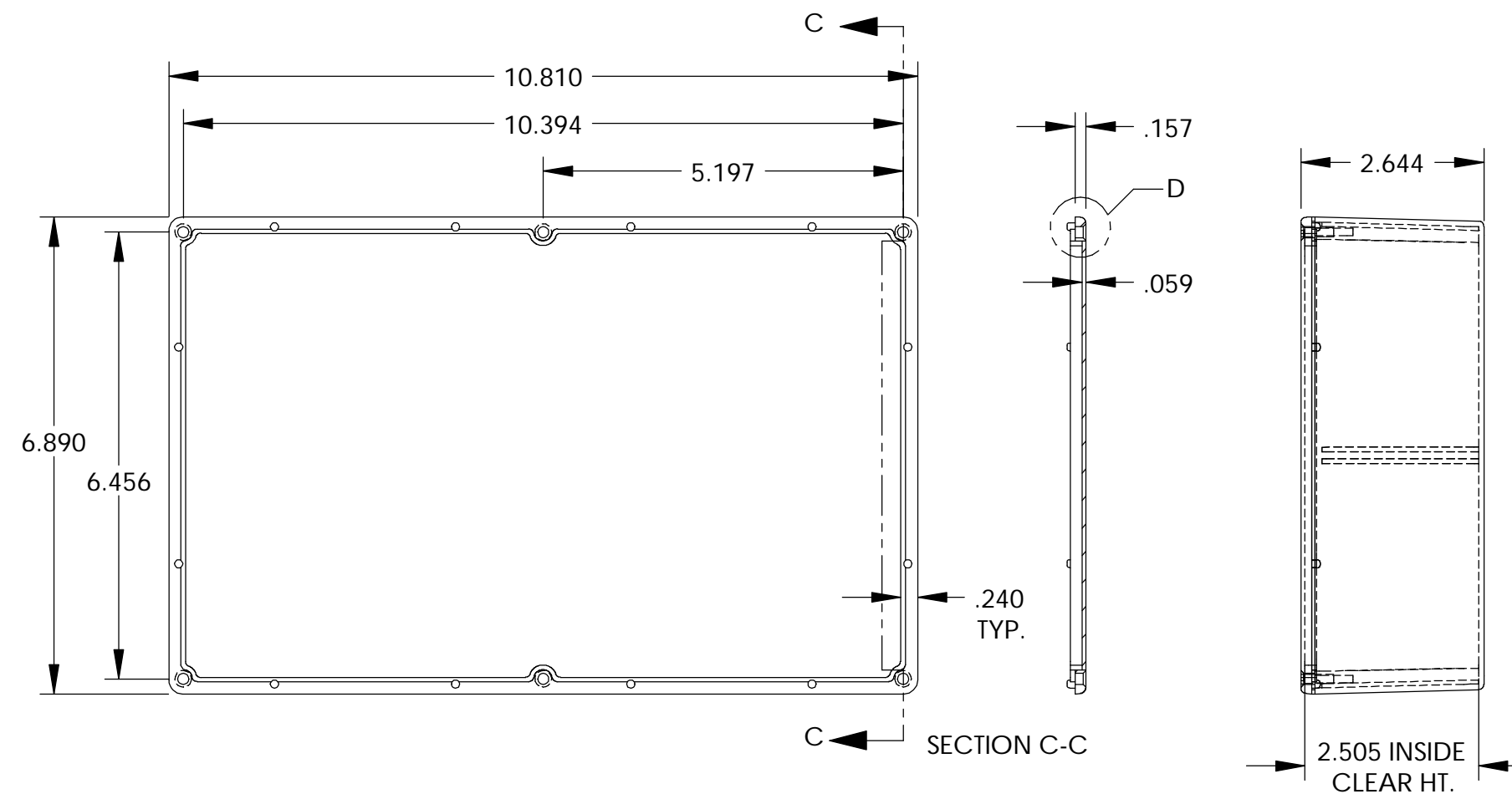
ALL HOLE DIAMETERS HAVE ±.005 TOLERANCE.
 ALL OTHER DIMENSIONS HAVE ±.015 TOLERANCE.
 ENCLOSURES ARE SHIPPED UNASSEMBLED WITH ALL ITEMS SHOWN.



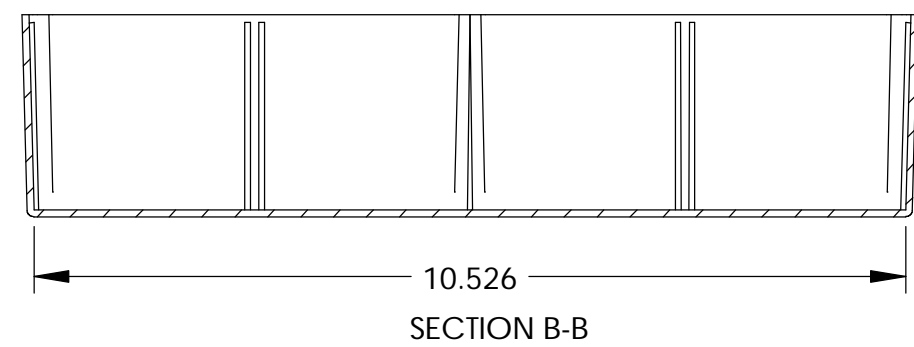
DETAIL D
SCALE 6:1



BODY



COVER



SECTION B-B

PARTS LIST			
+/- .005 BETWEEN HOLE CENTERS +/- .015 FROM SHEARED EDGE +/- .032 FROM A BENT SURFACE +/- .062 BETWEEN ASSEMBLED SURFACES UNLESS OTHERWISE SPECIFIED		CAD GENERATED DRAWING. DO NOT MANUALLY UPDATE	
MATERIAL AS NOTED		APPROVALS	DATE
FINISH AS NOTED		DRAWN DAB	3-31-06
DO NOT SCALE DRAWING		CHECKED	
		APPROVED	
QTY.	USED ON	SCALE	REV.
		CAD FILE:	SHEET 1 OF 1

BUD INDUSTRIES INC.
DIE CAST ALUMINUM ENCLOSURE

DWG. NO. CN-5714
 SCALE